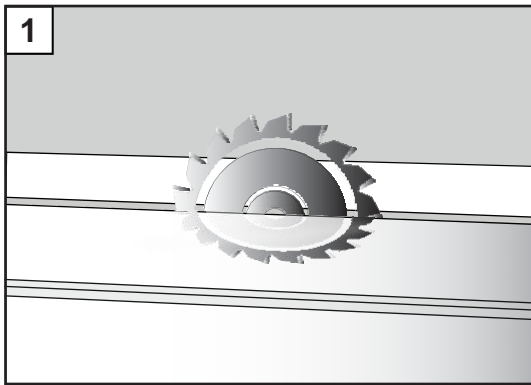


**PANEL
OPERATING MANUAL**

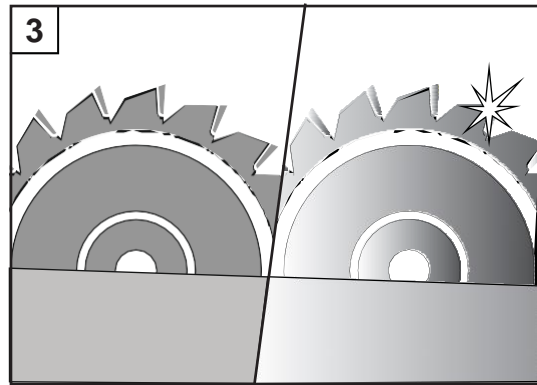


Innovation chasers



1. A butress threaded saw or CNC nesting table shall be used for cutting

2. Cutting on a table saw shall be performed vertically for 90-degree cuts and horizontally for 45-degree cuts.



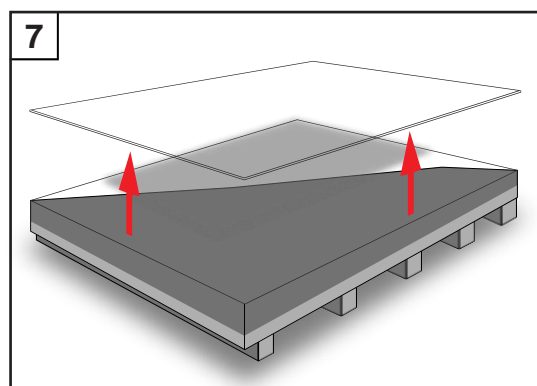
3. Saw blades and cutters must be kept sharp and clean.

4. It shall be ensured that the proper cutting speed is maintained at 15 m/minute.



5. In order to obtain better results, a scoring saw attachment shall be used for panel cutting on table saws and compression cutting tool on CNC nesting machines.

6. Panels cut at 45 degree shall be assembled or transformed during the same day.



7. The production shall be carried out in such a way to avoid dragging the panels in order to protect the surface from scratches and other damages caused by such friction.

8. Protective stretch film coating on panels shall be removed after the assembly is completed. High Gloss products shall be cleaned with a wet cloth or microfiber after they are kept unprocessed for 24 hours following the removal of stretch film.

9. It shall be ensured that the ambient temperature is around 25 degree in order to allow panels be cut without any issues.

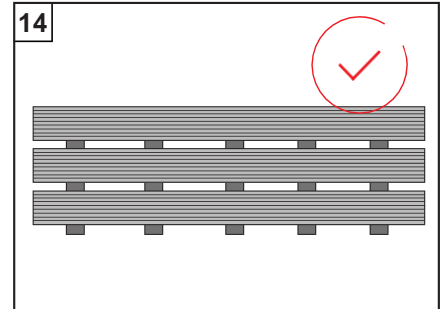
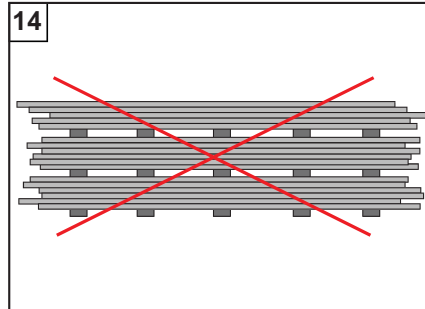
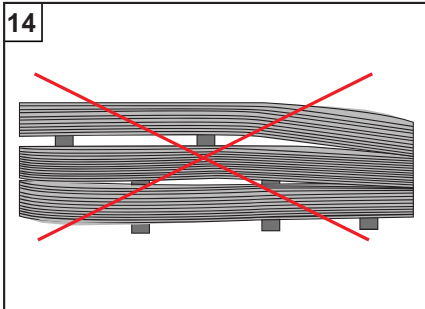
10. Maximum 1 bump can be located per 1m² surface on the condition that the diameter of such bump is less than 5 mm. 2 bumps may be located provided that they remain within the tolerance limits and the diameters of bumps are less than 3 mm per 1m² surface and the distance of these bumps from each other is at least 25 cm.

11. Production tolerance for the possible defects along the edges of panels are transversely (1220 mm) 7 mm for both edges and longitudinally (2800 mm) 5 mm for both edges.

12. 1 collapse spot may be located per 1m² surface provided that the diameter of this spot is less than 5 mm.

13. Only 1 stain may be located on a panel provided that its diameter is less than 2 mm.

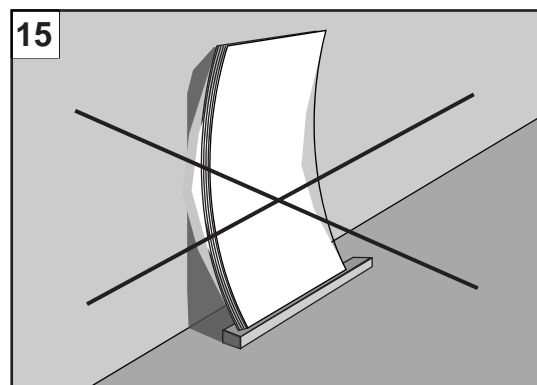
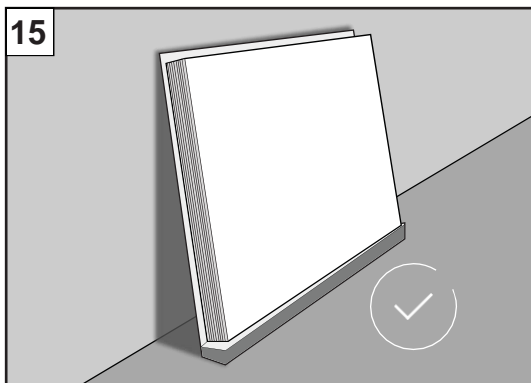
14. When the product is piled up horizontally at the warehouse it shall be ensured that it is piled up on blocks at equal intervals to avoid warpage and the blocks used for this shall be identical.



15. When panels are put into processing area the piling shall be done cautiously in order to prevent crushing, collapse and fracture of edges and corners.

In order to prevent warping, the following precautions shall be followed:

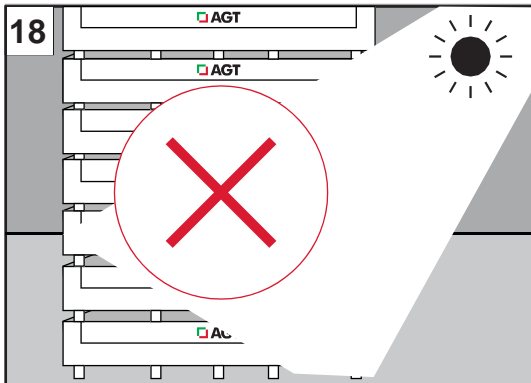
- Leaning sheets on an object shall only be done with small quantities.
- It is OK to stock a maximum of 20 loose sheets horizontally.
- Products shall never be kept vertically.
- In case of leaning on an object, the sheets shall be positioned ensuring they are safely supported.
- The air circulation of warehouse should be controlled. Product storage areas must be located away from the doors.



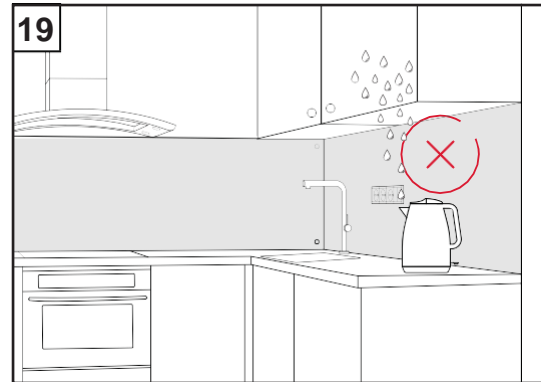
16. Do not drag the sheets against each other in order to avoid scratching on the surface caused by dust and other particles that may become stuck on the protective surface due to static electricity during the movement of products at storage area.

17	
24 : 06 : 2019	10 : 25
24 : 06 : 2019	10 : 25
24 : 06 : 2019	10 : 24
24 : 06 : 2019	10 : 24

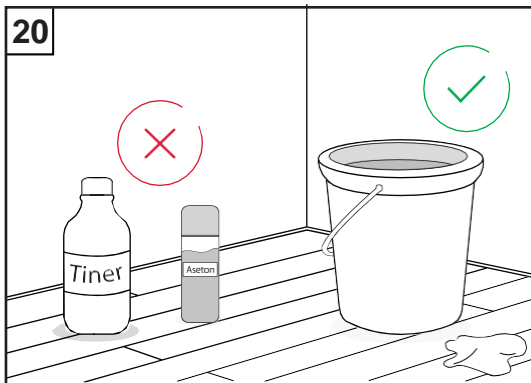
17. Color tones and production dates shall be observed to consistency of successive production runs. Production dates are printed on the backside of single-sided panels and on the side of the MDF for double-sided panels.



18. Do not expose products to direct sunlight.

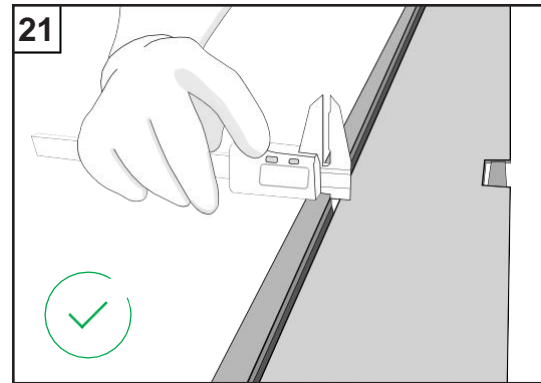


19. Products are not suitable for outdoor applications such as; open spaces, gardens, including indoor areas with high humidity and direct exposure to water or steam.



20. A damp clean cotton cloth or microfiber with soapy water or alcohol-free fluid surface cleaning agent shall be used for cleaning the products.

21. Alcohol or abrasive containing surface cleaning agents or scrubbing pads including magic eraser shall NEVER be used. When you use such agents, it will cause tarnishing and scratching on the surface. Thinner and substances that contain acid shall NEVER be used either.

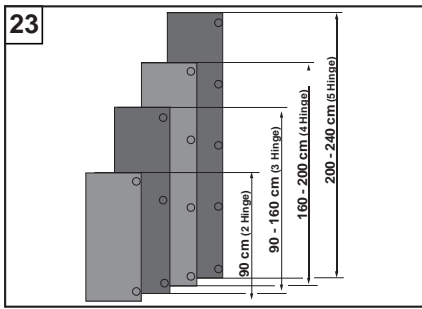


22. The extent of warp of the panel shall be 4mm for shorter edge (along 1220mm) and maximum 10 mm for the longer edge (along 2800mm).

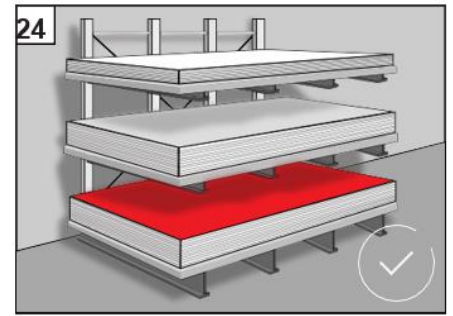
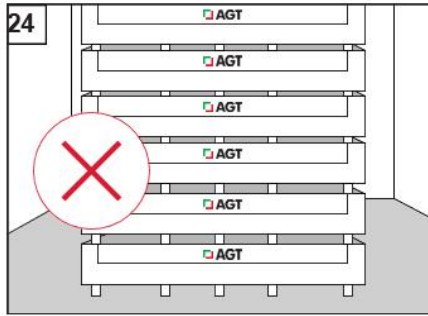
This tolerance may vary for the topmost sheet since it is reversed. After the panels are dimensioned rotation values fall within useable tolerance limits.

Warping that occurs as a result of situations where products are piled or stored incorrectly, or caused by temperature, air circulation and humidity values of storage being out of limit are not covered by the guarantee.

23. It is recommended to apply the number of hinges as shown in the image below according to the height of the door.

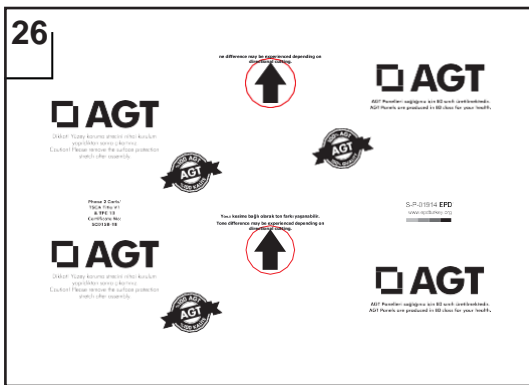


24. Pallets shall be stored by placing them on shelves or on level area in such a way that maximum 4 pallets are put on the top of each other.



25. In order to protect the surface of sheets a protective MDF cover shall always be used to protect exposed top sheet.

26. Attention should be paid to directional cut in all colors except plain High Gloss. Otherwise, tone difference may occur. Pay attention to the direction of the arrow which is taken from the protection film in the image below.



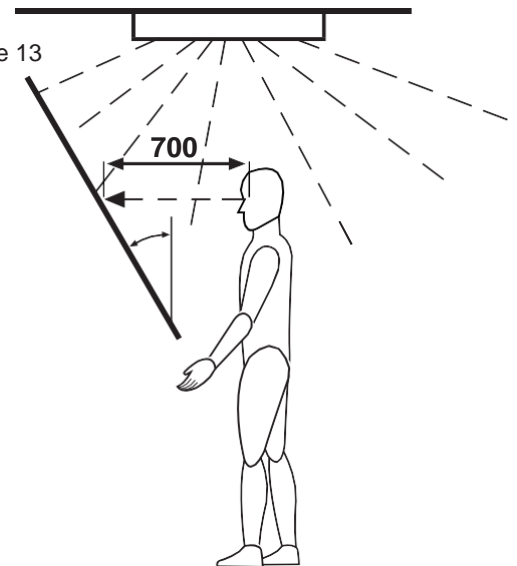
27. When carrying sheets manually, protective gloves and shoes shall be worn in order to avoid injuries.

SURFACE VERIFICATION OF PANEL

Are performed according to the following standards, Article 10, Article 12 and Article 13 mentioned above cover the maximum permissible defects.

The following frame conditions are applied:

- Visibility range: 700 mm
- Light intensity: 1000-2000 lx
- Inclination angle: Vertically 30°
- Light type (daylight, color temperature) :D 65:6500 K
- Duration of vision: maximum 20 seconds



Conditions for Warranty and Return of Products

1. The warranty period is 2 years and begins as of the date that the product is purchased by the customer.
2. A description of the defect, test results if any and clear visual material (photograph, video, ...) showing the defect must be submitted to for any products that are claimed to be defective.

You have the right to request one of the following actions;

- a) Retract your contract by notifying that you are ready to return the sold product,
- b) Keep the product and ask for a discount in the amount of the defect form the sales price,
- c) If it does not impose an exorbitant expense, to ask that the sold be repaired free of charge at the seller's expense,
- d) If possible, ask for the products to be replaced with a non-defective product.

3. In the event of such a claim the documents will be examined and if necessary, a sample will be requested to conduct analyses and tests. The "Product Inspection report" that is to be prepared after these analyses and tests, will determine if the error, fault or defect that is claimed originates from production and if it is within the scope of the warranty.

4. If an error, fault tor defect is determined to be covered by warranty, the right you choose to exercise will be met as long as it is feasible to do so.

5. If repair is requested during the warranty term the maximum repair period is 30 days.

6. The maximum useful life for a product is 10 years.

Situations that are not covered by warranty:

1. Situations that are not a result of manufacturing or production.
2. Use of the product in a way that violates user and maintenance instructions.
3. Defects or deformations that occur due to transport or relocation after delivery of the product, damages and faults that occur due to external factors (impact, scratching, breaking).
4. Assembly by unqualified individuals, incorrect installation against the instructions and damages and faults caused by any other external elements.
5. The use of corrosive chemicals like thinner acetone, paint remover, bleach, hydrochloric acid and abrasive detergents. Surface faults and deformations caused by the use of abrasive deep cleaning items like sandpaper, steel wool, magic eraser and other types of scrubbers.

No one other than the company can claim a different warranty condition or make such a request.



agt.com.tr

[f](#) [t](#) [p](#) [i](#) [v](#) /agthinkwithus

Merkez | Head Office

Organize Sanayi Bölgesi
3. Kısım, 35. Cadde, 07190
Döşemealtı, Antalya, TÜRKİYE
Tel: +90 242 249 17 17
Fax: +90 242 249 17 27

İstanbul Ofis | Istanbul Office

Kısıklı Mh. Alemdağ Cad. No: 36
34693 Çamlıca, İstanbul, TÜRKİYE
Tel : +90 216 344 82 48
Fax : +90 216 316 82 48